

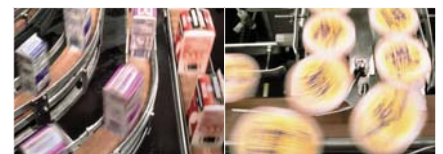


## CIJ Printer

# PB Series

for Industrial Marking

- Easy and quick operation by large liquid crystal display and 8.9" touch panel
- Full protection against dust and water jets (IP45, test specification IEC60529:2001)
- Viscosity control and current ink density control for stable drop formation and high quality printing
- Improved ink circulation system for stable ink return, low ink consumption and reduced solvent evaporation
- Automatic print head cleaning
- Various printing and coding functions
- Operating temperature 0 – 45 °C (JP-K69 ink)
- Global Standards: CE, C-Tick



USE BY 03.06.20  
MFG. NO. 04.03.25

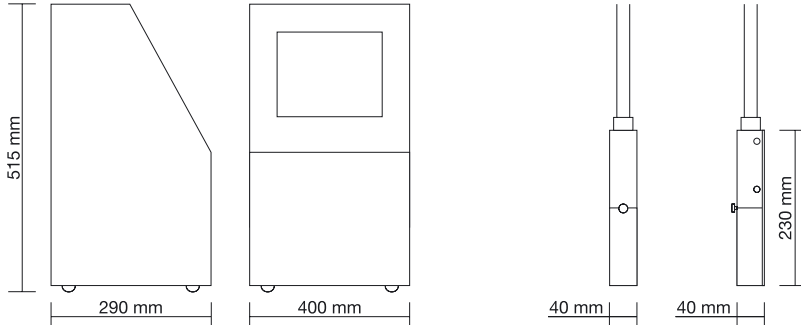
## All features at a glance

<b>Model</b>	<b>PB-260E</b>
<b>Nozzle size</b>	65 µm
<b>Max. print line number</b>	Up to 2 Lines
<b>Max. number of print characters (each line)</b>	1 Line: Up to 80 characters 2 Line: Up to 40 characters
<b>Dot matrix (horizontal x vertical)</b>	1-2 Line: 5 x 8 (or 5 x 7), 7 x 10; 12 x 16
<b>Character height</b>	1 Line: 2 – 4 mm / 2 Line: Total height: 4.5 – 8 mm
<b>Display &amp; input device</b>	Display: Liquid crystal display (8.9 inch, monochrome), back-light provided Input Device: Touch panel, input sound provided
<b>Display language</b>	German, English, French, Italian, Spanish, Portugese, Dutch, Swedish, Arabic, Greek, Russian, Czech
<b>Maximum print rate</b>	Up to 821 character/s (font 5 x 7, space 1, 1 line)
<b>Standard characters</b>	Alphanumeric (A-Z, a-z, 0-9), symbols (27), Space: total 90
<b>Number of user pattern registration</b>	Each dot matrix 40 characters
<b>Print functions</b>	Calendar, counting, data storage (48 data), bold (2 times), product speed matching, repeat print, etc.
<b>Input signal</b>	Print object detection, rotary encoder pulse
<b>Output signal</b>	Print ready, fault, warning (open collector signal)

<b>General specifications:</b>	
<b>Printhead cable length</b>	3 m
<b>Power supply (Automatic Voltage selection)</b>	AC 100-120 / 220-240V ±10% · 50/60 Hz 150 VA
<b>Cabinet</b>	Stainless Steel / IP45
<b>Approval</b>	CE, C-Tick
<b>Operating temperature range</b>	0-45 °C (JP-K69 Ink)
<b>Humidity Range</b>	30-90 % R.H.* (no condensation)
<b>Overall size (width x depth x height)</b>	400 x 290 x 515 mm
<b>Approximate weight</b>	25 kg

\* Note: When humidity is more than 85% RH, please purge inside of print head by dry and clean air.  
Information in this brochure is subject to change without notice.

## PB Series Dimensions of Console and Printhead



<b>1 Line (5 x 7)</b> USE BY 04.03.20 LOT.NO.0123456789	<b>2 Line (5 x 7 Bold)</b> LOT NO. ABCD-1234	<b>2 Line (7 x 10)</b> USE BY 03.06.20 MFG.NO.04.03.25
<b>1 Line (7 x 10)</b> MFG.NO.04.08.20 HITACHI		
<b>1 Line (12 x 16)</b> 0123456789	<b>Bold (5 x 7)</b> 5x7 DOUB	<b>Logo (7 x 10)</b> CE M ® Ω

**Hitachi Europe GmbH**  
 Am Seestern 18 · D-40547 Düsseldorf  
 Tel. +49-211-52 83 -0 · Fax +49-211-52 83 -649  
 www.hitachi-ds.com  
 E-Mail: info@hitachi-ds.com